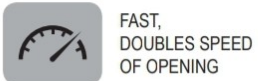
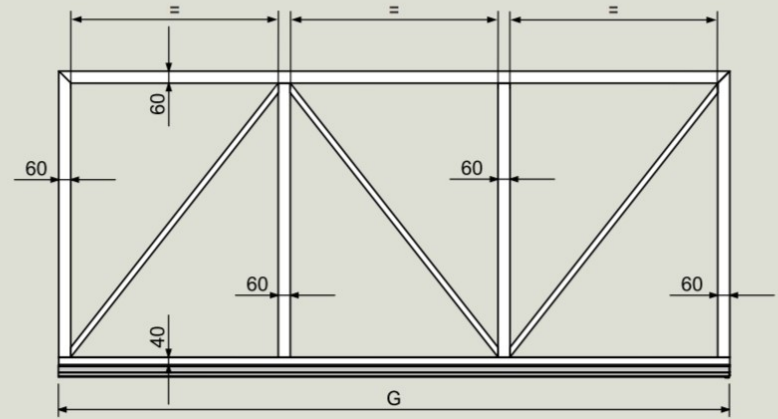


FOLLOW ME S 4.25

CODE: 1710900

	mm; kg	mm; kg	mm; kg	mm; kg	mm; kg	mm; kg	mm; kg
A	2750	3000	3250	3500	3750	4000	4250
backspace	2722	2930	3138	3347	3555	3763	3972
max. weight gate	325 kg	325 kg	325 kg	325 kg	325 kg	325 kg	325 kg
B	817	900	983	1067	1150	1233	1317
C	1217	1300	1383	1467	1550	1633	1717
D	200	200	200	200	200	200	200
G	2228	2415	2603	2790	2978	3165	3353
H	2622	2830	3038	3247	3455	3663	3872
J	270	270	270	270	270	270	270
K	353	415	478	540	603	665	728
L	4067	4400	4733	5067	5400	5733	6067

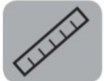
Valid for gate frame 60x40



FAST, DOUBLES SPEED OF OPENING



GALVANIZED INTERNAL EDGES



SPACE SAVING FEATURE - 36% OF TAILGATE SPACE



«C» TRACK SERIAL NO. 100% COMPATIBILITY CARRIAGE TESTED



EASY ASSEMBLING



GERMAN STEEL



TWIN «C» TRACK CANTILEVER SYSTEM



20 BOLTS 20 RIVET NUTS INCLUDED



2ND CANTILEVER LEAF ADJUSTABLE IN 3 AXIS



SUITABLE FOR SINGLE GUIDE POST



32.000 CYCLES PROVEN & TESTED



CARRIAGES CENTER HOLES MILLED NOT LASER CUT



270 g/m² HOT DIPPED GALVANIZED



MULTI RIVETED SECTIONS



+ 50°C TESTED & PROVEN



JAPANESE ROBOTICS FANUC



- 37°C TESTED & PROVEN



UNIVERSITY OF TECHNOLOGY - BRNO



SLOTTED HOLE PUNCHED EVERY 400mm IN TRACK



MADE IN CZECH REPUBLIC

