

CAIS s.r.o.

Přehradní 199
763 16 Fryšták – Dolní Ves
Czech Republic
Tel.: +420 577 911 000; Fax: +420 577 912 211
ID: 26914051; VAT: CZ26914051
e-mail: cais@cais.eu; web: www.cais.eu



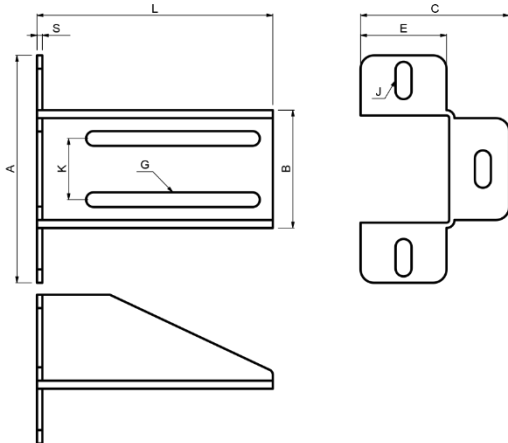
Technical report


Art.

PARK 240



Art.	PARK 240
Produkt	END STOP BRACKET
Item code	1700196
Material	Body - S 235 JR, Bolt M 10x20 - DIN 603, Nut M 10 - DIN 6923
Surface finish	ČSN EN ISO 19598 - Fe//Zn12//Cr//T2nL
Guarantee	24 months



Art.	L	A	B	C	E	G	J	K	S	END STOP	1pc		CODE	
mm											kg	pcs	kg	
PARK	175	170	88	95	50	11X132	12X30	46	4	LAST/PADDOCK	1,11	2	2,22	1700006
PARK 240	245	170	88	95	50	11X200	12X30	46	4	LAST/PADDOCK	1,35	2	2,7	1700196

*All specifications, photographs and technical drawings are the property of CAIS s. r. o. and are protected by copyright. Product specifications can be changed without prior notice.